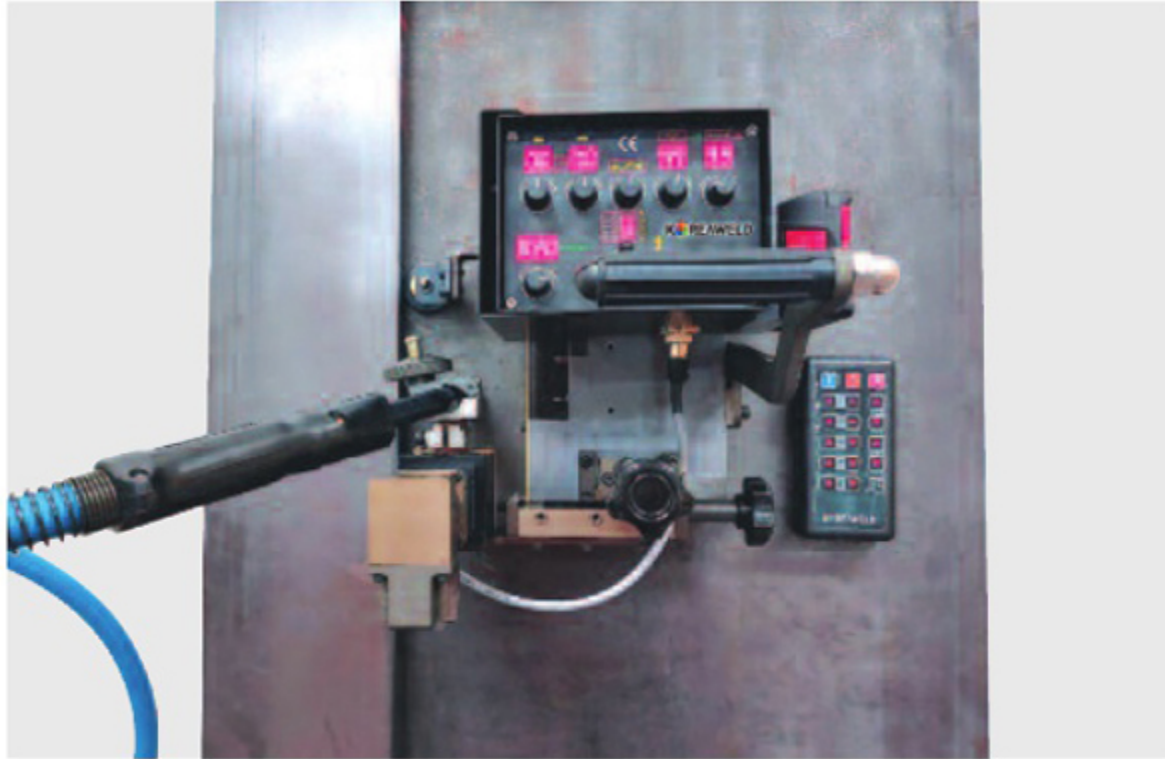


KW-FV1A[AC], KW-FV1B[Battery]

FILLET & BUTT WELDER, VERTICAL-UP WITH WEAVER

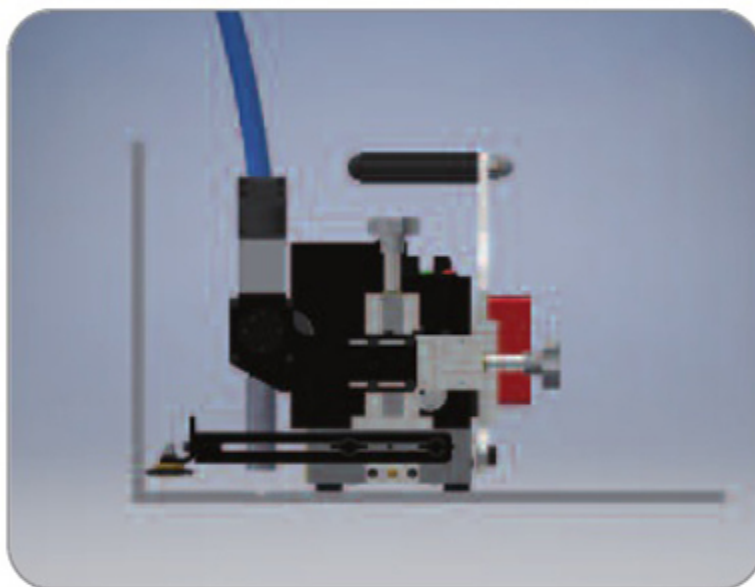
APPEARANCE



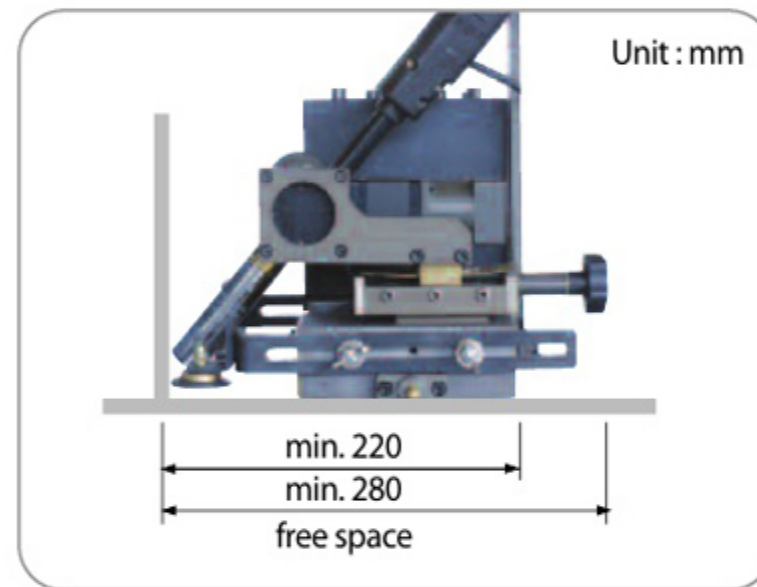
FEATURES

- Vertical-up Fillet & Butt welder with the weaver controls at the local panel or at the remote controller for travel/weaving
 - Center-shift functions back to original position when stopping
 - Left/Right dwell functions while weaving.
 - The remote controller is useful in Max. 50 meters distance.
- *Battery (Li-Ion 18V 4Ah) 5-6 Hrs use.

BUTT WELDING



VERT-UP FILLET WELDING



MAJOR PARTS	DESCRIPTIONS	SPECIFICATIONS
General	Size in mm(WHL), Weight	Carriage: 290 x 265 x 290, 8.0Kg Packing: 400 x 400 x 300, 12.0kg
	Input Power	AC 100-240V, 50-60Hz, 1 Phase Lithium-ion Battery 18Vdc 4.0Ah 5~6Hrs use
	Motor	24Vdc, 10W, 5,000rpm
	Reducer	1:624 (gear ratio 1:1)
Traveling Unit	Speed	0~860mm/min
	Power transmission	4 wheels chain driven
	X-Y slide	X-slide stroke 0~50mm
	Weaver	Power unit
Reducer		1:864
Speed		0~5rpm
Width		±16°
Left/Right stop		0~9.9sec dwell
Mode		→ 