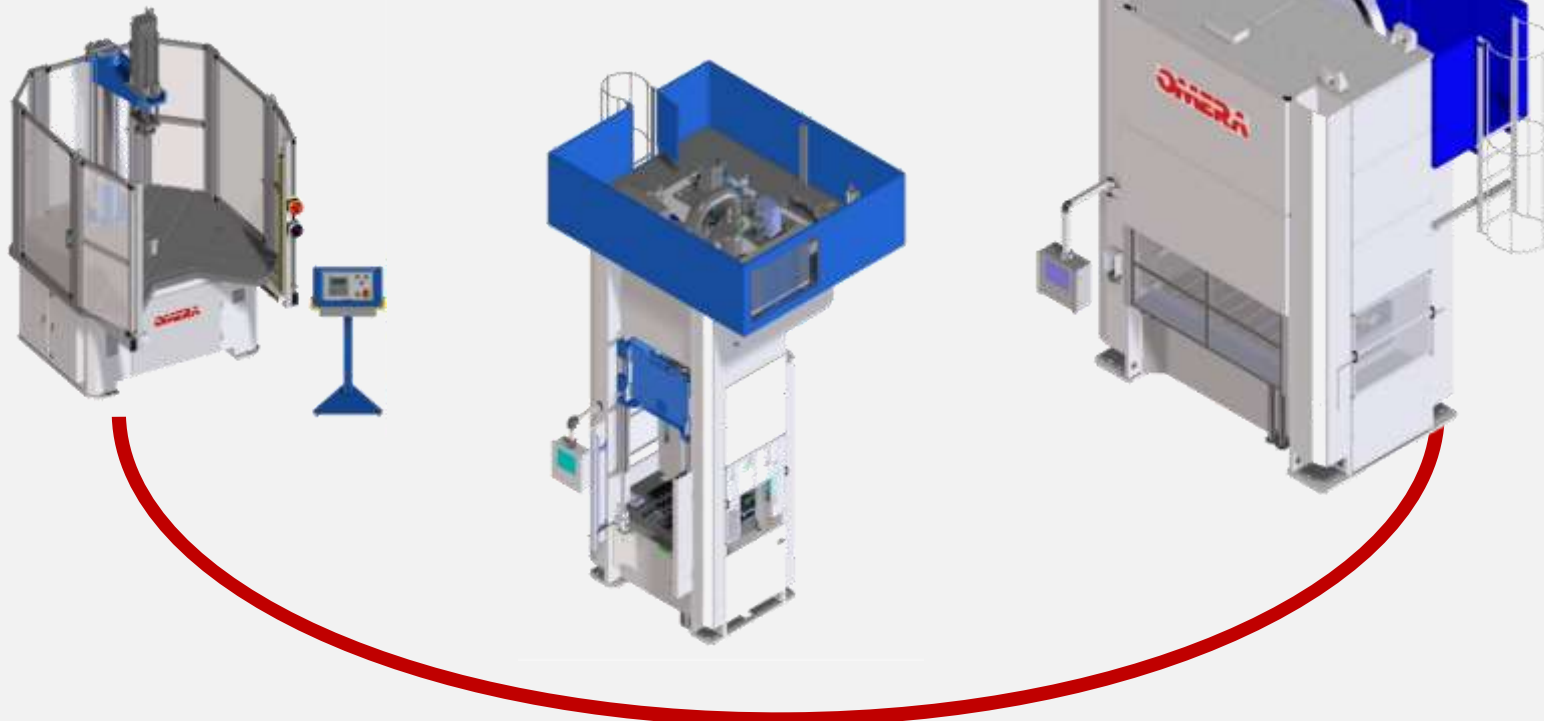


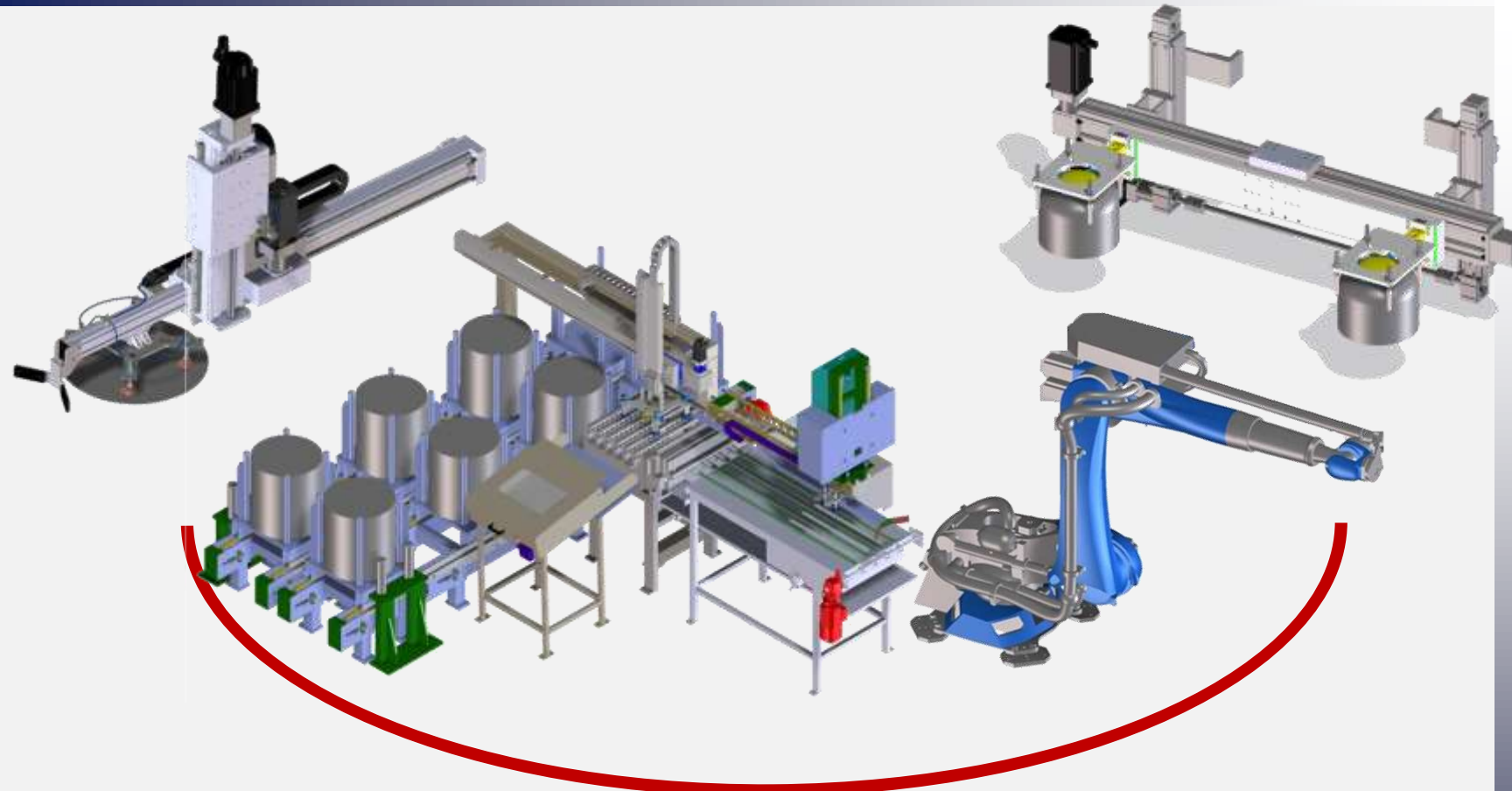
Production lines

Press Lines



Metal Forming Machines Portfolio

Press Lines



Automation Portfolio

Press Lines



Safety is milestone of **Omera** Policy

The collaboration of a **Notified Body**, allows to develop the proper safety levels according to **2006/42/EC Directive**.

Specific **Risk Analysis** can be supplied on request involving Press and Press Lines.

Risk Analysis and **CE Declaration** can involve third part equipment or already existing machine.



apave

Soiet. It
OMERA S.p.A.
Via Ponte dei Granatieri, 8
36031 CHIAPPANO (VI)
ITALIA
C. Att. Sig. Petrikin

Arcore, 31 Ottobre 2014

N/REP: 14-1072

ESAME CON RIFERIMENTO ALLA REGOLAMENTAZIONE
SICUREZZA DELLE MACCHINE ED APPARECCHIATURE
LINEA "TRAMONTINA" PRODUZIONE COPERCHI

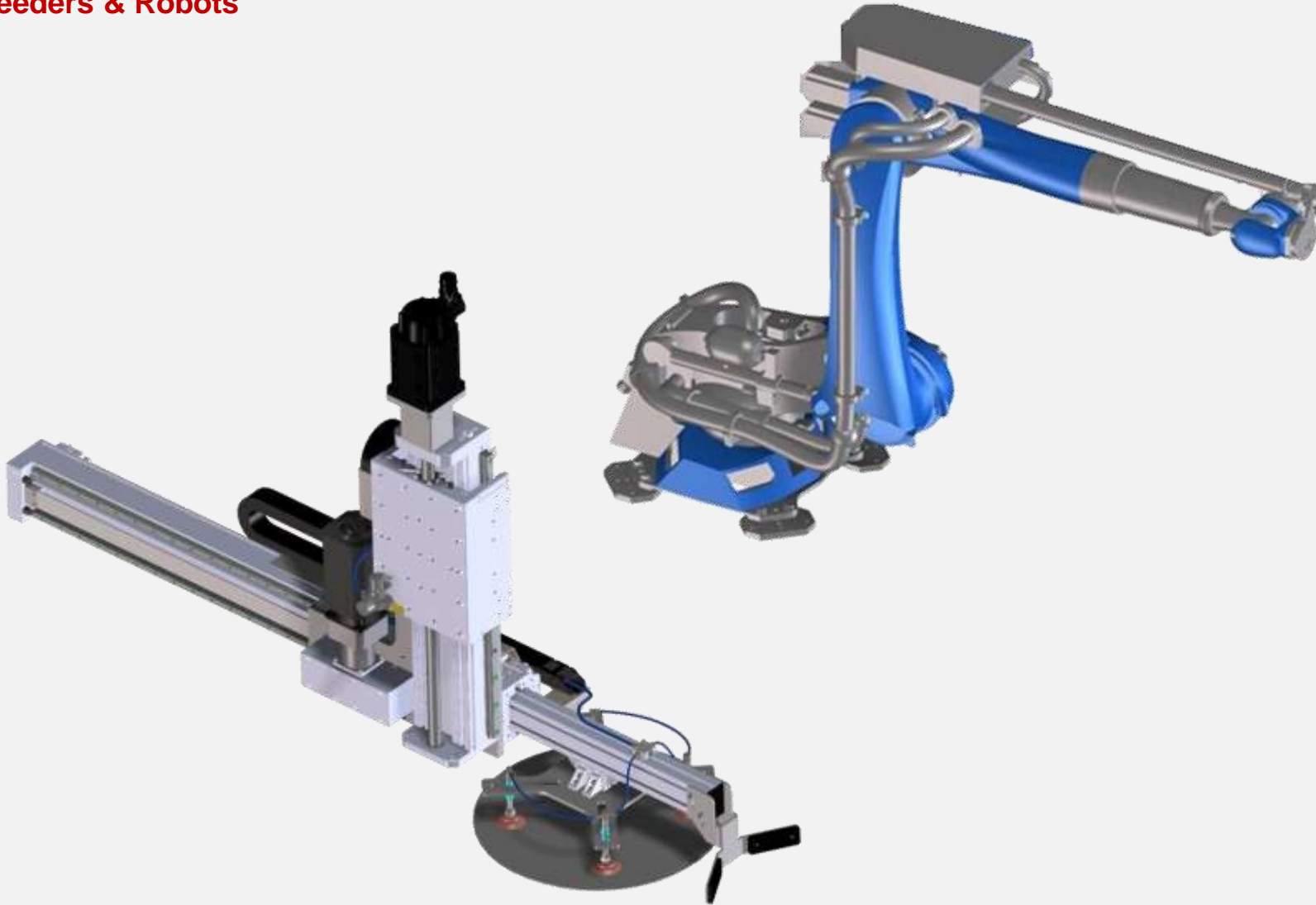
Ispezionatore: Ing. Samuel Cuneo
Data dell'intervento: 17 e 18 / 07 / 2014
Dossier n°: MA.14-1072

Apave Italia Csm s.r.l.
Via Artigiani, 63 - 25040 BENEVO (BS) - Codice Fiscale e Partita IVA 01 575 040 989 - C.C.I.A.A. 0225118 - Telexitalia 44880

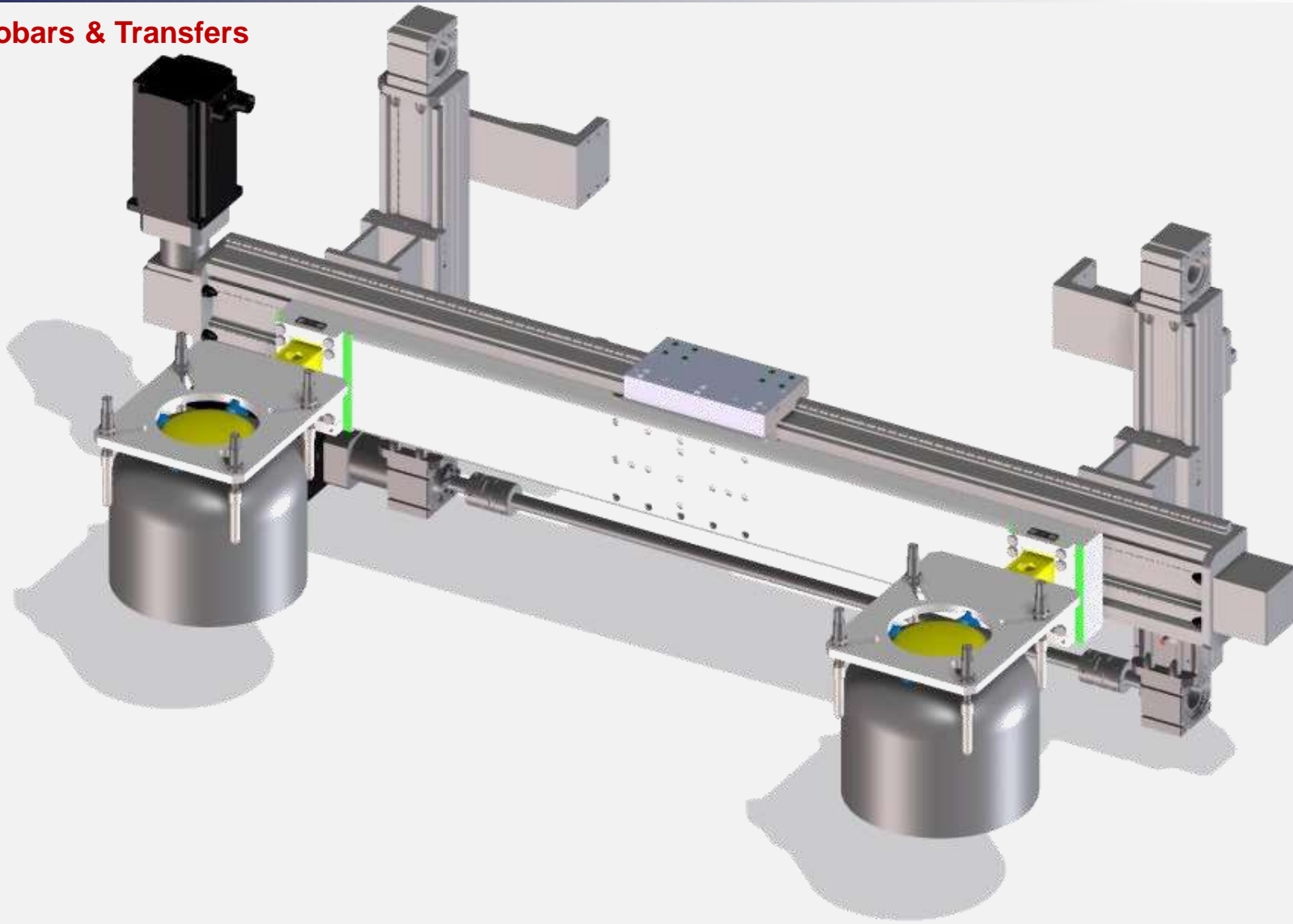
BENNO
Via Artigiani, 63 - 25040 BENEVO (BS)
Tel. +39 0364 300342 - 300624 - Fax +39 0364 300334
Email info@apave.it - www.apave.it

ARCORE
Via Fontana, 12 - 20062 ARCORE (MI)
Tel. +39 039 389696 - Fax +39 039 389947
Email info@apave.it - www.apave.it

Feeders & Robots



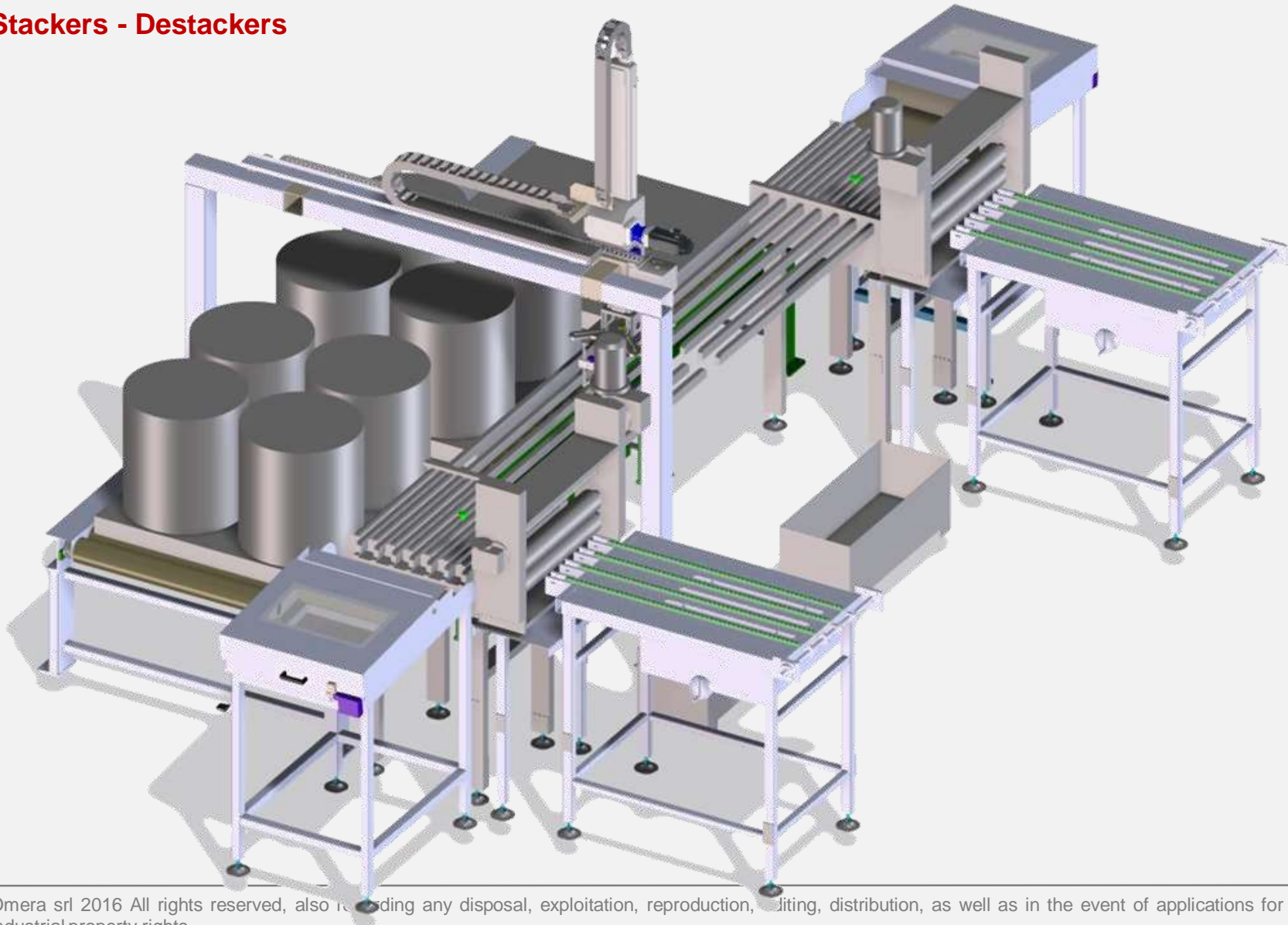
Monobars & Transfers



Press Lines



Stackers - Destackers

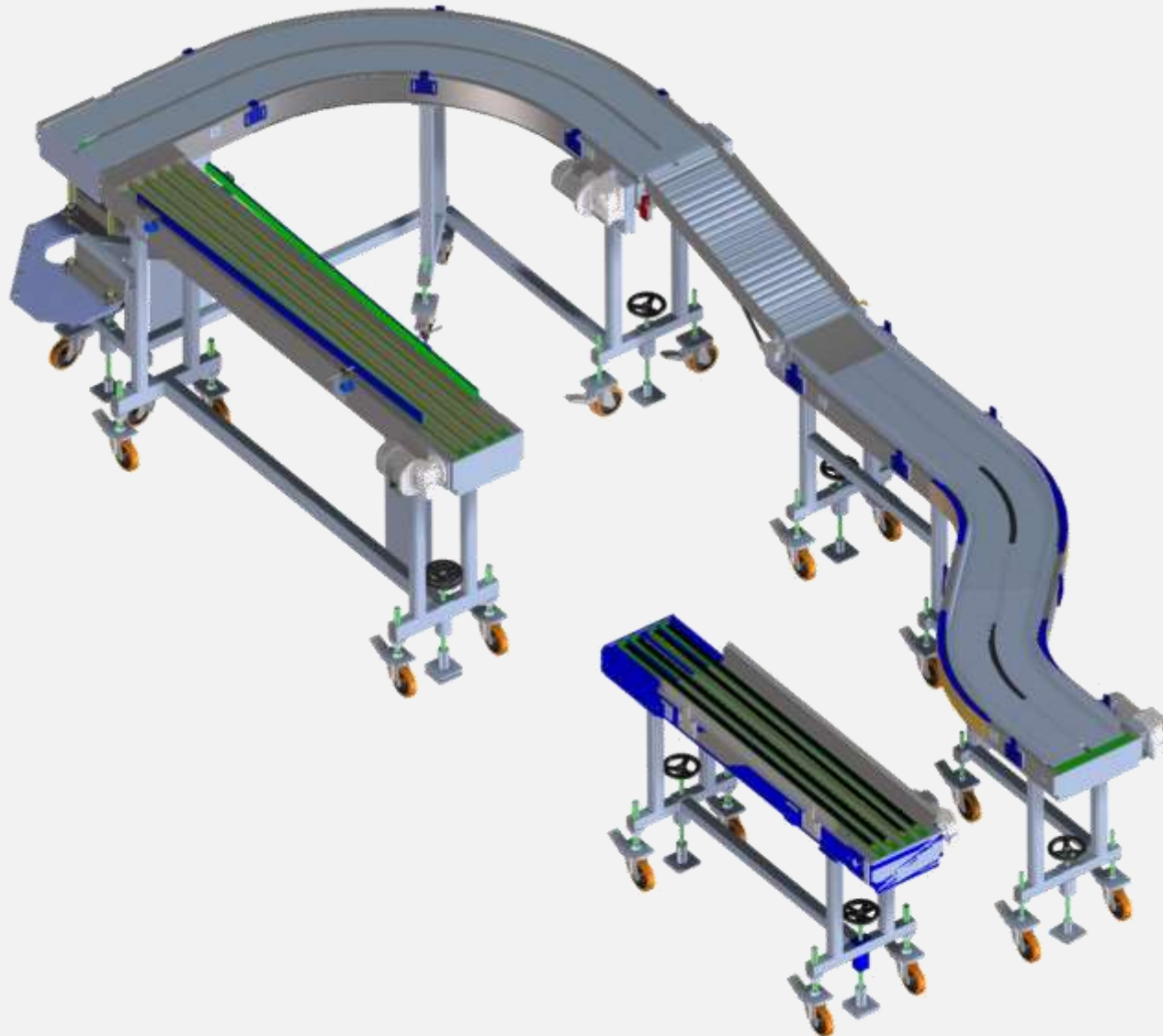


Press Lines

Press Lines



Conveyors



Press Lines

Press Lines



Gas Bottle lines

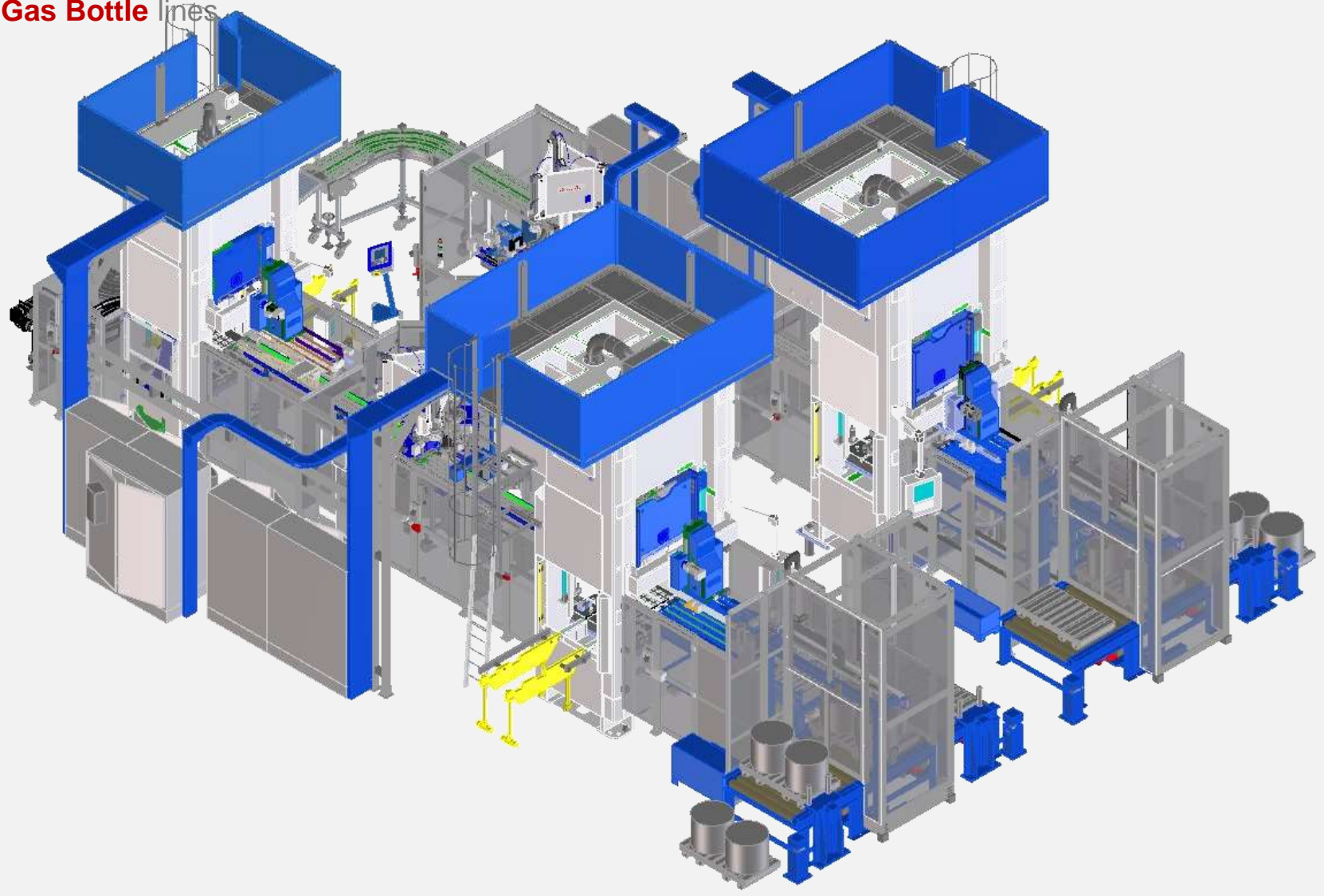


Press Lines

Press Lines



Gas Bottle lines

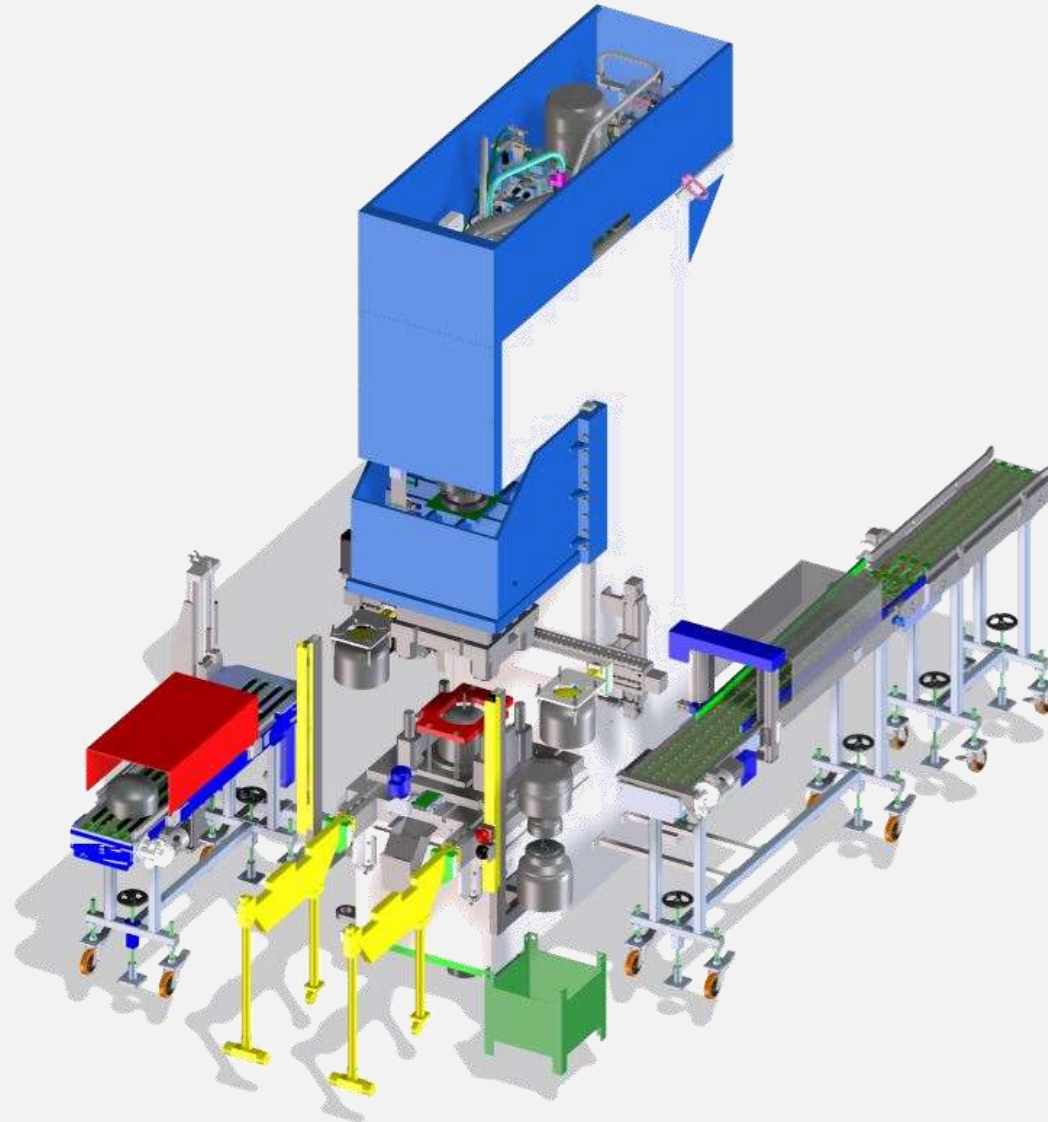


Press Lines

Press Lines



Gas Bottle lines

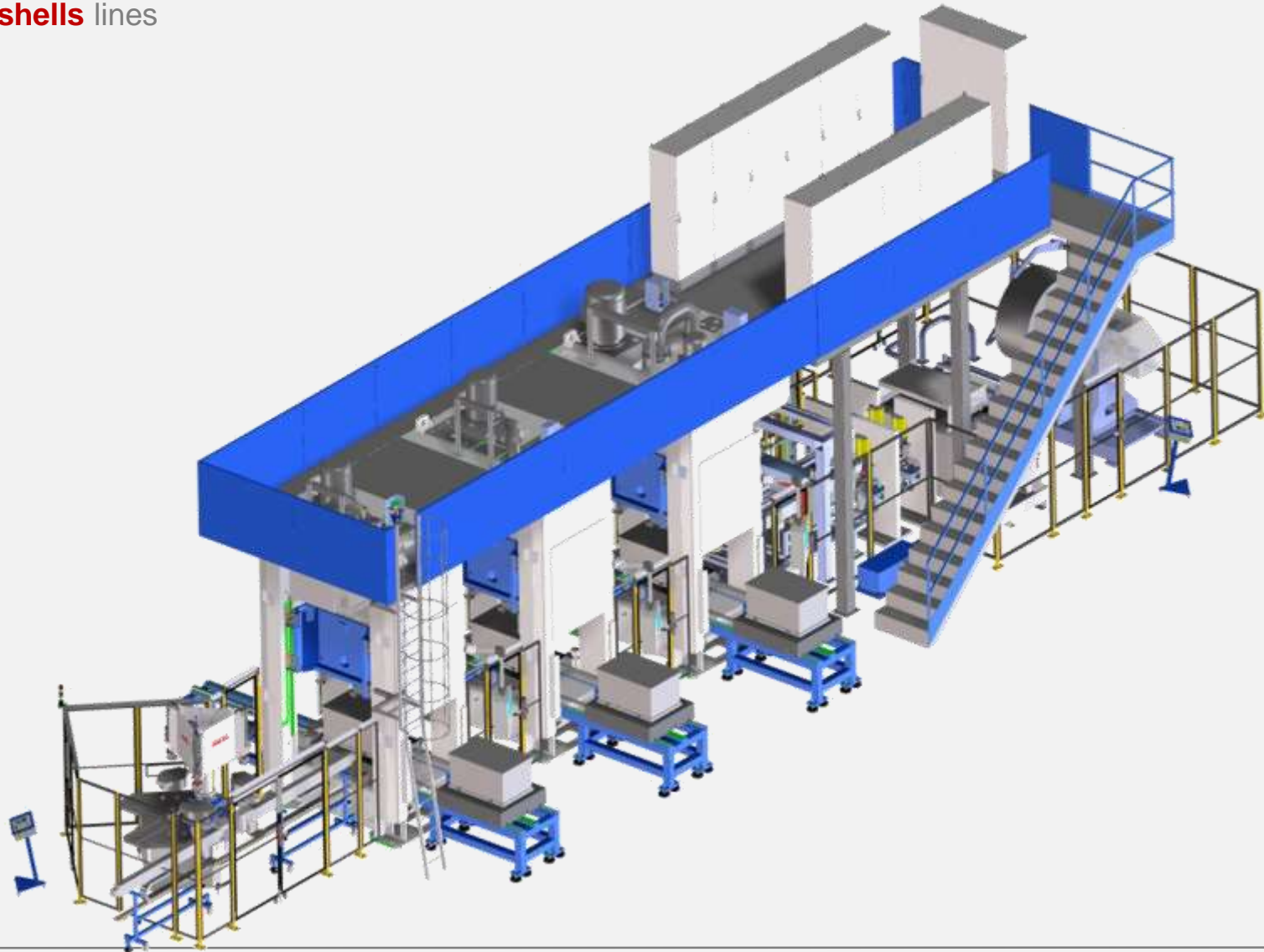


Press Lines

Press Lines



Inner shells lines

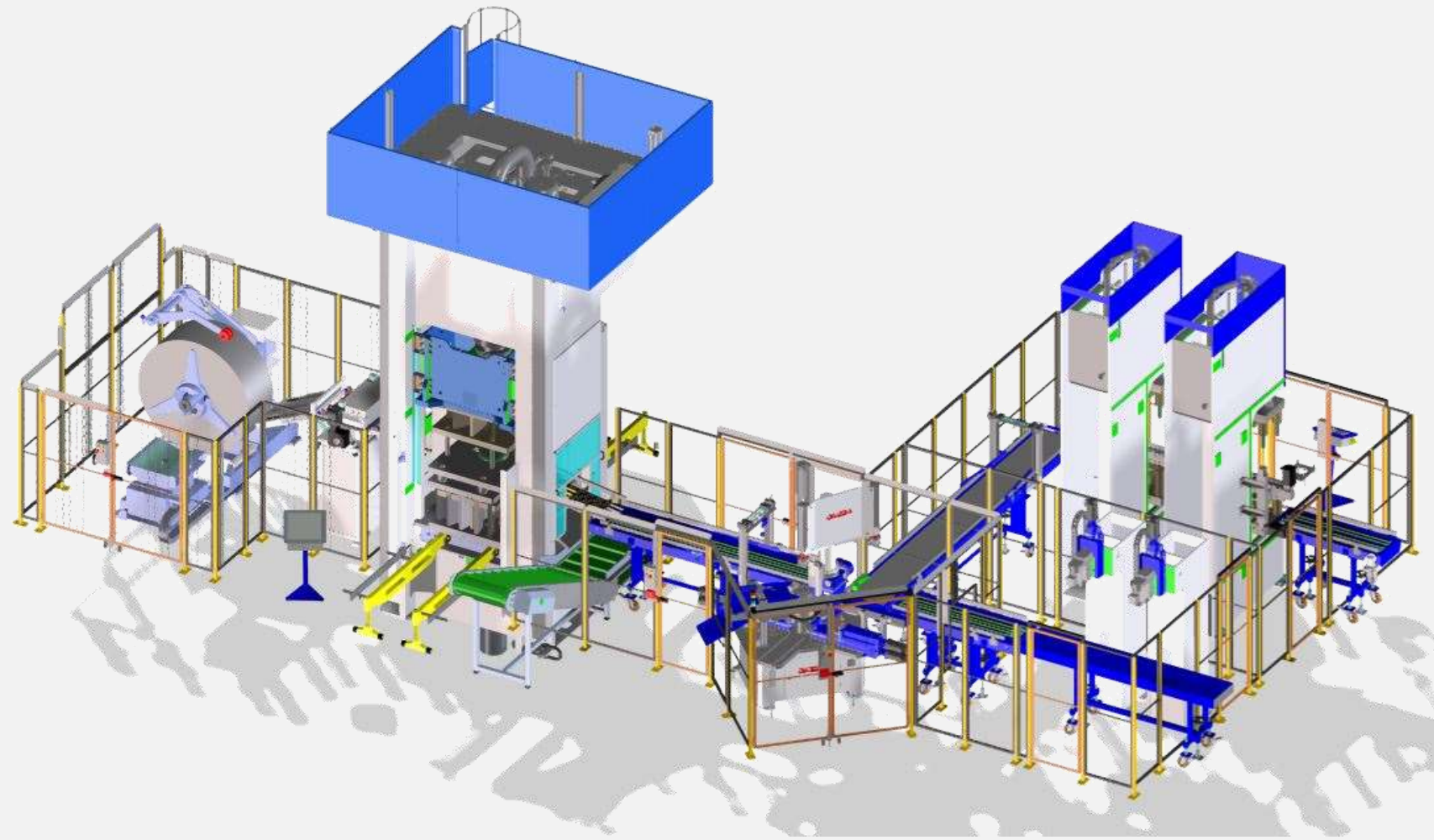


Press Lines

Press Lines



Expansion vessels lines



Press Lines

Press Lines



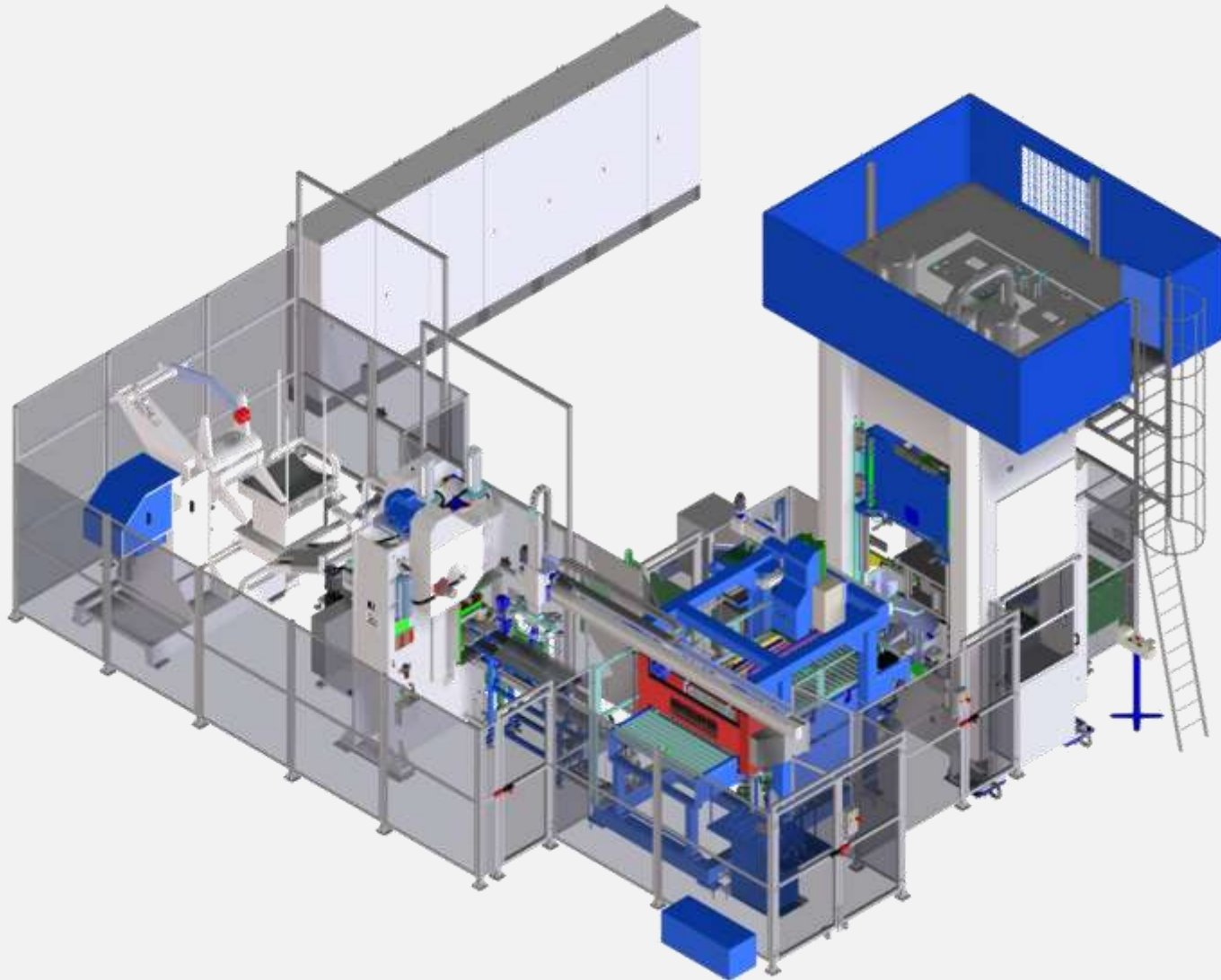
Pots & Lids lines



Press Lines

Press Lines

Air ducts lines

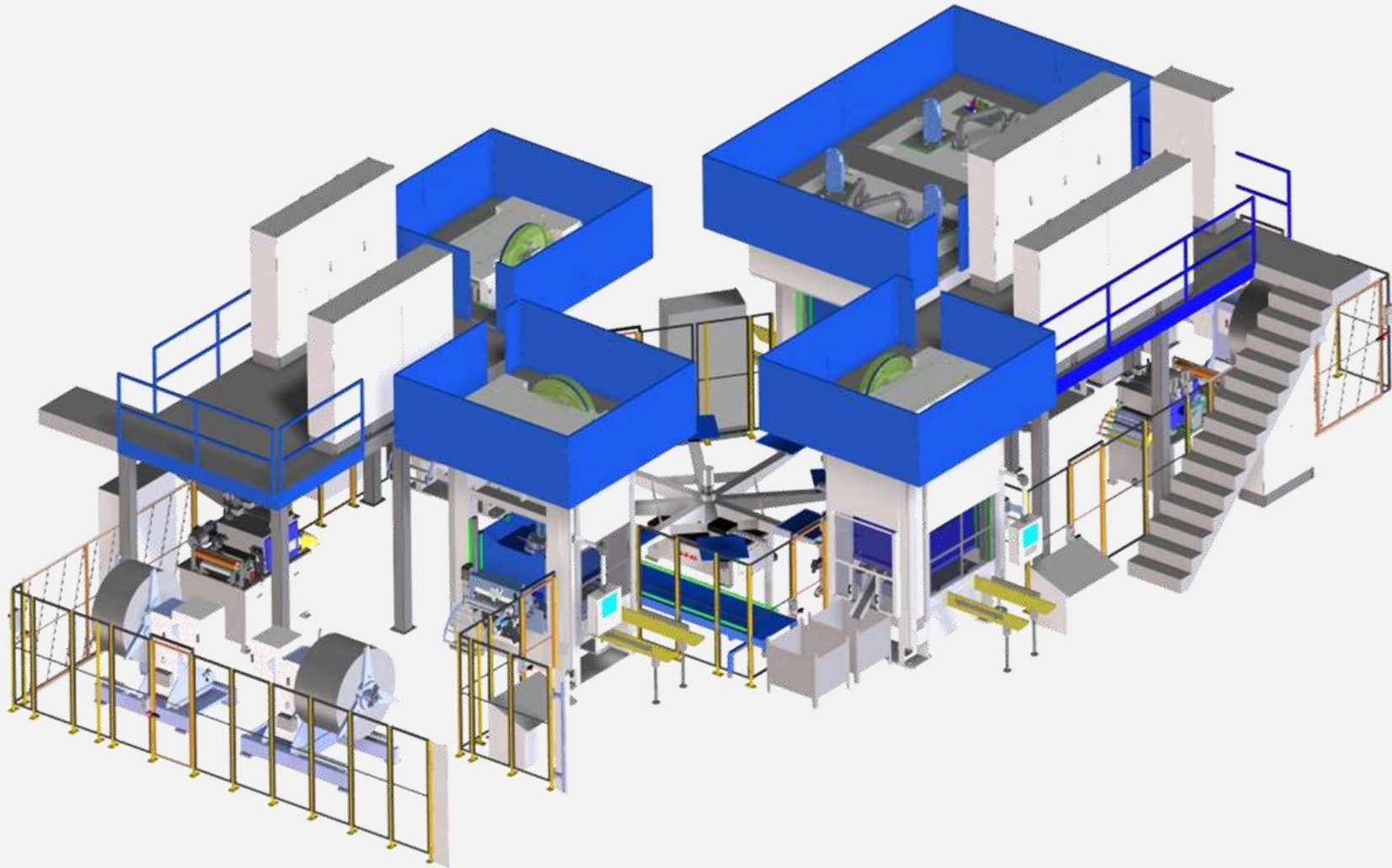


Press Lines

Press Lines



Thermal shields lines

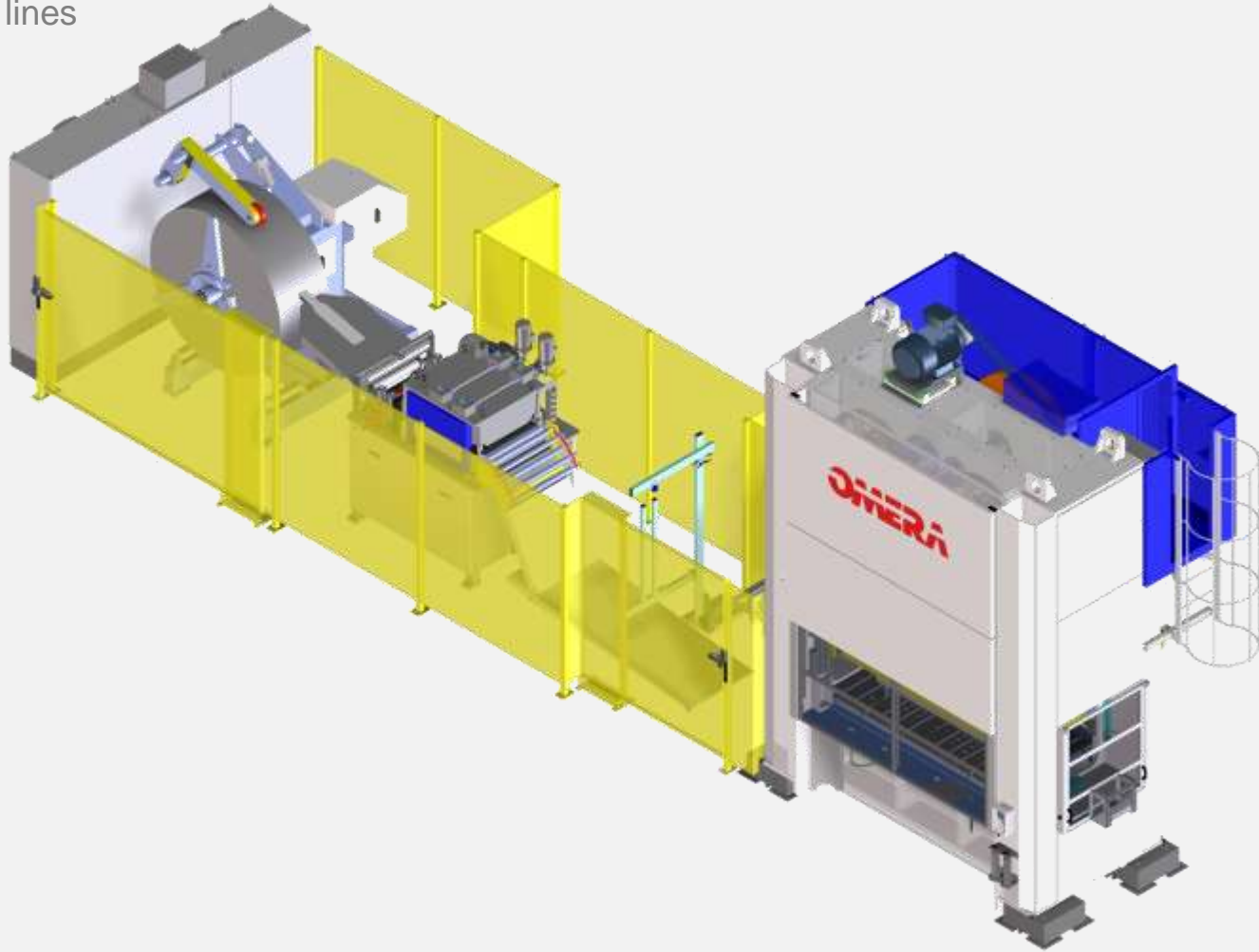


Press Lines

Press Lines

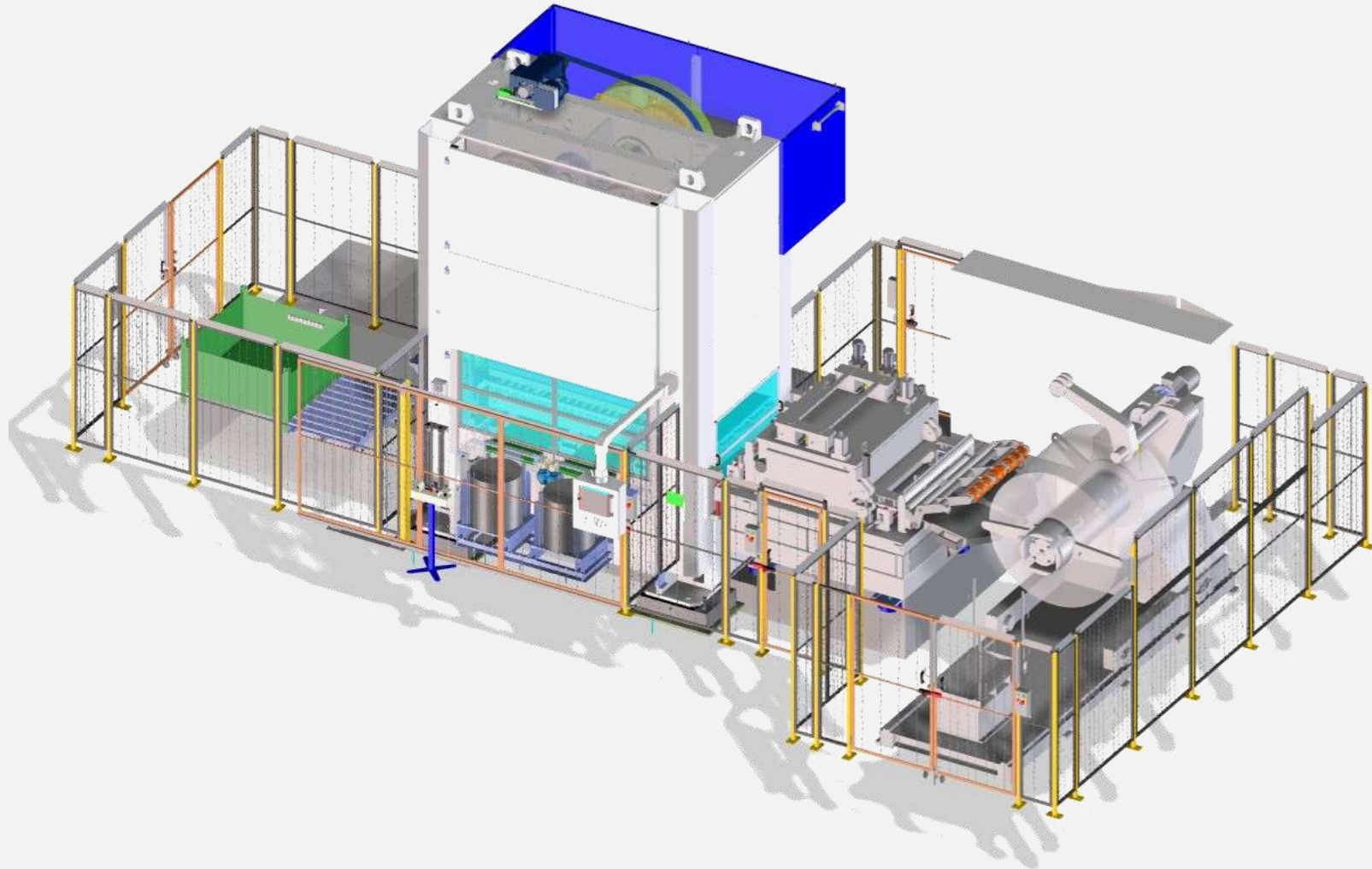


Blanking lines



Press Lines

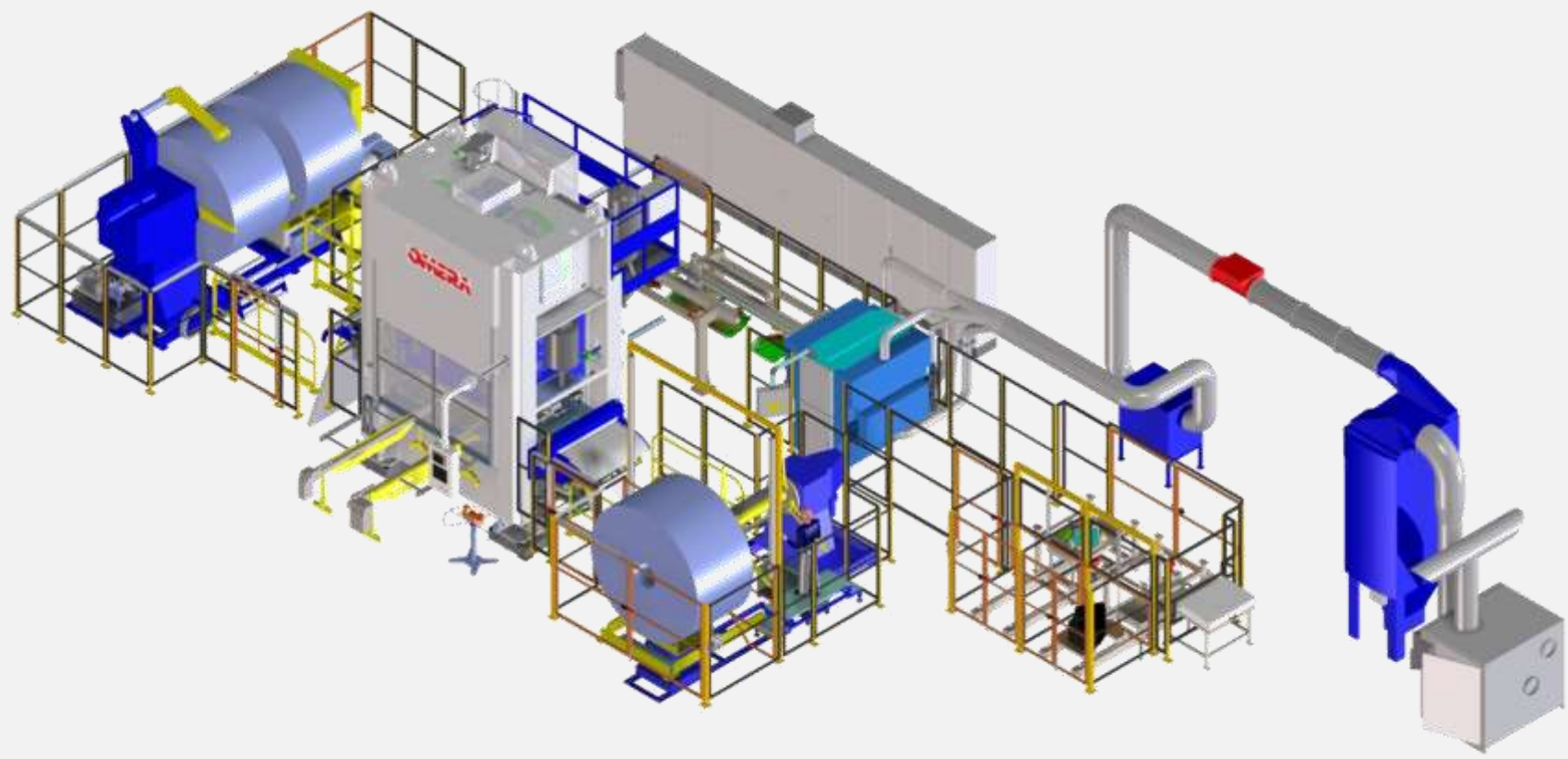
Blanking lines



Press Lines



Magnetic stator parts lines



Press Lines