

“PRIMA INSERTER MAXI 450”

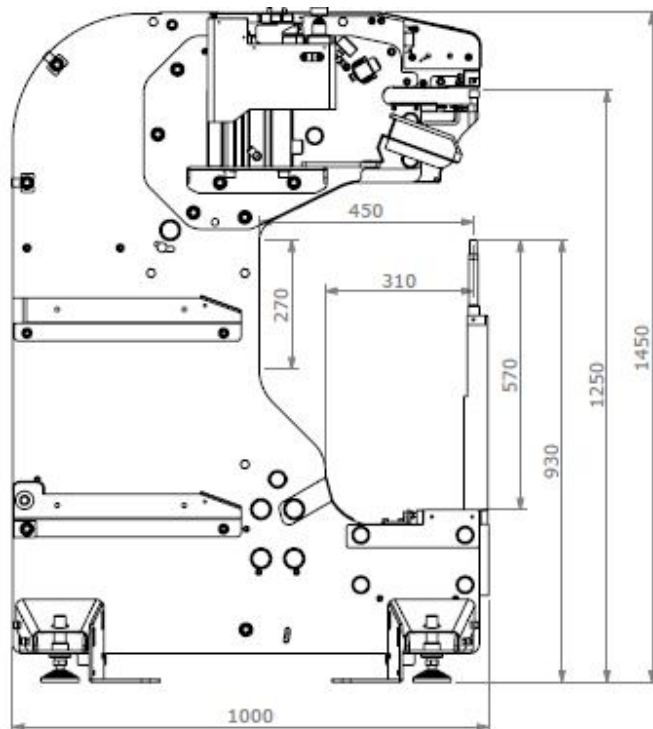
Salient features self clinching installation press



PRIMA MAXI 450 is a press for self-clinching fasteners, being cost-effective, flexible, compact, easy to use and to maintain, this machine is very attractive to anyone working with metal sheets.



SAFETY the gap reduced between punch and anvil safeguards the operator safety.



STILL MORE VERSATILE the Prima Maxi structure, while maintaining the versatility of his “little sister”, with its “FRAMES” interchangeable allows to install inserts in pipes (photos 1 and 2) and inside boxes of width up to 900 mm and a depth up to **600 mm !!!** The eccentric anvils allows fasteners to be installed on the edge of the chassis or close to a fold of the same.

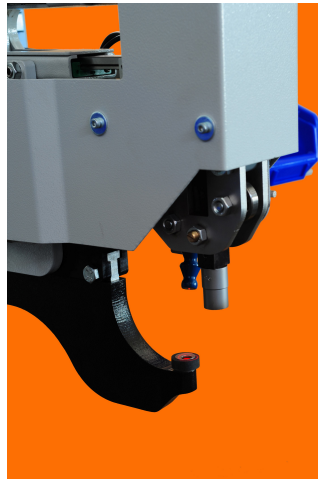
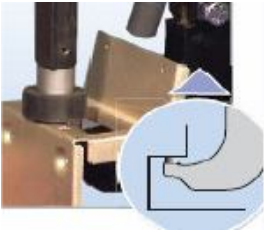
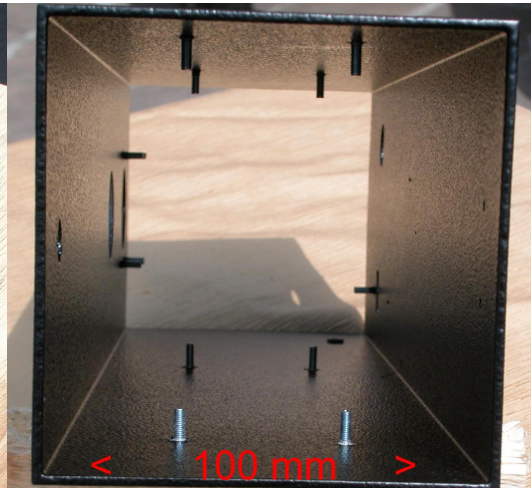


Photo 1



Photo 2



POWERFUL **PRIMA MAXI** may exert forces in the range from **150 KGs to 7 tons**.

FAST **PRIMA MAXI** is a completely pneumatic machine hence the speed in operation is very high (cycle machine about 1 second), other machines in similar category are either hydraulic or hydro pneumatic, very slow operation...

AFFORDABLE AND LEAST MAINTENANCE being a pneumatic press, **PRIMA MAXI** doesn't need changes of oil or complex maintenances, it is enough to clean and to lubricate few parts. The maintenance requirements of this press are the least in the category...

POWERFUL AND VERSATILE PLC decremental incremental and total insert counter, LED display high brightness; Regulation force and pressing times; Auto diagnosis incorrect condition.

QUALITY **PRIMA MAXI** will work with you for many years because is built with high quality parts. Air regulator, pneumatic cylinder, electro valves etc, is from renowned brands like **SMC** Japan (word no, 1), all switches are **Matshushita** and **Nikkai** Japan.

INTERNATIONAL NORMS **PRIMA MAXI** is manufactured in accordance with the following norms: **CEI EN 61000-6-4:2007 ; CEI EN 61000-3-2:2007 ; CEI EN 61000-6-2:2006; CEI EN 60204-1:2006; CEI EN 61000-3-3:2009; CEI EN 55011:2011**

QUALITY to PRICE rate despite all the feature above described, **PRIMA MAXI** it is the self-clinching installation press less expensive to the world in his category. This is a features you will appreciate at the very first encounter with **PRIMA INSERTER MAXI 450**.

