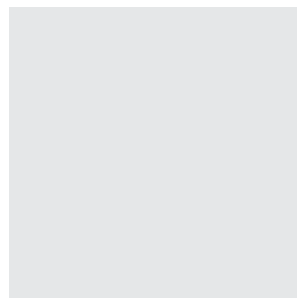


**EFFICIENCY, HYGIENE, OCCUPATIONAL
HEALTH AND SAFETY FOR PHARMACEUTICAL
PRODUCTION**



HOVMAND
LIFTING & MOVING TECHNOLOGY

WE IMPROVE OUR CUSTOMERS' WORKFLOW WITH INTELLIGENT LIFTING AND MOVING SOLUTIONS

RELY ON A PARTNER WHO WILL SUPPORT YOU WITH SUPERIOR TECHNOLOGY

The highest standards apply to working processes within pharmaceutical production. Hygiene and clean room, safety and explosion-proofing, efficiency, ergonomics, occupational health and safety, and quality – these are the uncompromising requirements.

In order for pharmaceutical products to be manufactured with the strictest hygiene requirements, complex work processes must be interlocked in your factory and production lines. For example, reactors and washing systems must be loaded, tablet presses loaded precisely and packaging films delivered in time to the machine. These are exactly the kind of processes, including many others, where Hovmand's lifter and tailor-made special solutions are able to intervene.

- ▶ **Hovmand lifters have for over 45 years specialised in providing genuine added value to their customers through their engineering expertise and "Made in Denmark" design.**
- ▶ **They offer you technological innovation from the market leader – primarily when you have special requirements.**

▶ BENEFITS:



- ▶ ATEX adaption for applications in your hazardous areas.

100%
Stainless
steel

- ▶ With its INOX series made from stainless steel and the extra-strong E300R, Hovmand has the most comprehensive range of premium lifters currently available.
- ▶ Resistant against aggressive cleaning agents.

IP66

- ▶ Dustproof, waterproof, highly hygienic and suitable for clean rooms in categories C and D.



- ▶ Electro-polished surfaces.
- ▶ Lubrication-free toothed belt.
- ▶ Closed ball bearing.
- ▶ All designs fully welded.
- ▶ Manufactured according to GMP standards.



- ▶ Absolute reliability.
- ▶ No maintenance required due to high quality design and processing
- ▶ Long-lasting, waterproof built-in batteries.



- ▶ Especially ergonomic for less physical stress and improving work life.



- ▶ Absolutely silent, ensuring no noise pollution.



- ▶ Easy to move due to low dead weight.



- ▶ Mobile, agile and extremely compact.



▲ Solution: INOX 200 for reactor loading



◀ E300R electro-polished for lifting and tilting of very heavy reels



▲ Solution for transferring barrels from a wood to a stainless steel pallet with a INOX 200

◀ Special solution for Flux-Geräte GmbH – pioneers in the field of drum pump technology for the pharmaceutical industry



Here are just a few examples of what makes us an experienced partner in pharma-manufacturing.

THE RIGHT SOLUTIONS FOR EVEN THE STRICTEST REGULATIONS

It lifts your technical expectations even higher! This is because Hovmand lifters are a unique investment in efficiency and safety. They assist you in handling containers, barrels, boilers, reels, boxes and pharmaceutical raw material containers in a responsive and fully automated manner. They use a wide range of stainless steel lifting equipment in their work. For this reason, they are able to help you to meet even the most stringent standards and specifications.

The designers at Hovmand can also create individual special designs for moving, lifting and handling loads for you in a short space of time. Our individual advice and solutions development make us specialists for the pharmaceutical industry.

HERE WE WILL SHOW YOU A LIFTER MODEL WITH UNIQUE STRENGTHS.

The Hovmand E300R lifter model is a high-quality tool for flexible use in your production plant, providing you with genuinely outstanding performance on a daily basis.

E300R

- ▶ Your ultra strong lifter for loads up to 300 kg.
- ▶ Lifts and handles barrels, tubs, boilers etc. safely up to a height of 2.35 m.
- ▶ Various electrical and manual stainless steel lifting devices which can be fitted out as required.
- ▶ Where required, the lifting equipment can be produced in custom sizes and with a configuration tailor-made for you.



**JUST A CALL AWAY!
HOVMAND INOX LIFTERS
WILL THEN GIVE YOU A
TRIAL SHIFT AT YOUR SITE!**

Do you want us to convince you directly of the real value for your production? Nothing could be more simple. Your local Hovmand dealer is coming to you. It means that you will not only be able to see and touch our standard models but also to test them. This will give us an opportunity to form an idea of your production activities and offer you advice about a special individual solution. You'll find your nearest Hovmand dealer on our website www.hovmand.com/dealers.

GET TO KNOW TWO OF THE BEST QUALIFIED EXPERTS

With the INOX 90 and the INOX 200 we present you with two innovative stainless steel lifters that bring excellent skills for your industry

▶ INOX 90

- ▶ Your lightweight, slim and agile lifter for loads up to 90 kg.
- ▶ Electro-polished surface and various lifting equipment made from stainless steel for handling a wide range of tasks.
- ▶ Highly hygienic, easy to clean, for the most demanding environments.
- ▶ Remote operation, battery operation, charging indicator, overload protection, safety coupling and shielding for all moving parts.
- ▶ Three mast heights three leg type variants and different reel types, which can be combined for a large number of options.



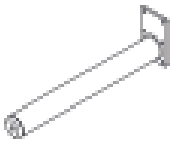
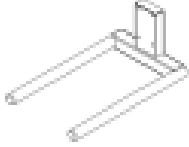
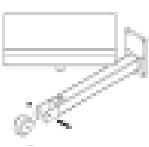
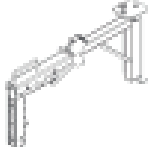
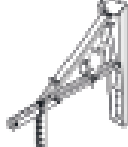
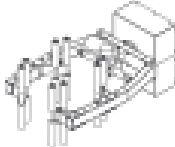

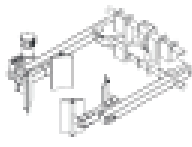
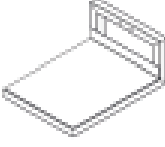
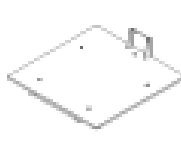

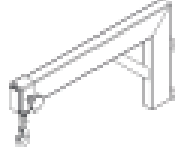
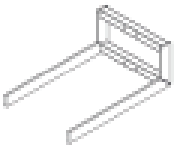
Lifter with the fastest lifting speed on the market. Control of 2 speed levels.

▶ INOX 200

- ▶ Your powerful lifter for moving, lifting, handling, gripping and rotating loads up to 200 kg.
- ▶ Electric or manual tool options to meet your requirements.
- ▶ Remote operation, battery operation, charging indicator, overload protection, safety coupling and shielding for all moving parts.
- ▶ Three mast heights can be combined with six different leg types – perfect for your production line.



LIFTING EQUIPMENT

BOOM	DOUBLE BOOM (DD)	BOOM & V-BLOCK	REEL MANIPULATOR MANUAL	REEL MANIPULATOR ELECTRIC	QC6 - GRIP/TURN UNIT
					
EC6 - GRIP/TIP UNIT	EC8 - GRIP/TURN UNIT	STAINLESS STEEL PLATFORM	PEHD PLATFORM	PEHD PLATFORM WITH ROLLERS	CRANE ARM
					
FORK	Where required, we will modify the lifting equipment to suit your specific requirements.				
					

LIFTING CAPACITY

Indication of maximum media weight indicated (kg) for various combinations of lifting tools and lifters.

TECHNICAL SPECIFICATIONS FOR LIFTER

	INOX 90	INOX 200	E300R		INOX 90	INOX 200	E300R
Boom (D)	90	200	300	Material	Stainless steel	Stainless steel	Stainless steel
Double boom (DD)	90	200	300				
V-block (DVB)	60			Weight in kg	41	67	105
Reel manipulator manual (MRP2)	50	100					
Reel manipulator, totally electric (VER)		140	200	Stroke length mast height in mm	956/ 1225	1200/ 1610	
Grip/turn unit (QC6)		100					
Grip/turn unit (EG6)		150	250	Stroke length mast height in mm	1245/ 1520	1570/ 1980	1300/ 1970
Grip/tip unit (EG8)		100	140				
Stainless steel platform	90	200	300	Stroke length mast height in mm	1651/ 1922	2000/ 2410	1650/ 2320
PEHD platform	90						
PEHD platform with rollers	90			Lifting speed mm/s	270/125	125	125
Crane arm		200	200				
Fork	90	200	300				

HOVMAND

Hovmand is the world's leading manufacturer of mobile lifters. For decades, we have been supplying our lifters to a wide range of companies, large and small, and to a multitude of industries for diverse applications. Our product portfolio covers a large number of requirements, which allow you to carry out individual lifting operations and complex lifting procedures. Maximum ease-of-use and constant implementation of technical and ergonomic improvements are our top priority and form a long tradition in our company. We ensure a close and personal relationship at the regional level with our customers, who are all assisted by fully trained local distributors.

Dealer:

HOVMAND
LIFTING & MOVING TECHNOLOGY

HOVMAND A/S • SANDVADSVEJ 15 A • DK-4600 KØGE
HOVMAND GMBH • RUPERT-MAYER-STR. 44 • DE-81379 MUNICH
TEL. +45 57 83 33 00 • MAIL@HOVMAND.COM • WWW.HOVMAND.COM